

IKOpro SPRAYFAST MPP

PRODUCT INFORMATION

IKOpro Sprayfast MPP (Multipurpose Primer) is a specially formulated high performance bonding primer, delivered and applied via the delivery system below.

It allows the speed of application of the bonding primer to be 5 times faster than conventional bitumen primers, promoting strong bonds at temperatures as low as 5°C.

Item	Product Code
Canister & Cardboard Carry Box	58800115
Spray Tip	58800111
Lance	58800110
Braided Hose	58800112
Cleaning Aerosol	58800113
Flushing Valve	59040000

*** ALL ITEMS ARE SOLD SEPARATELY ***



USE

IKOpro Sprayfast MPP can be used as a bonding primer with the use of IKO S-A membranes, and torch applied membranes.

FEATURES & BENEFITS

Multipurpose – can be used with IKO S-A membranes or IKO torch on membranes.

Speed of Application – covers the area quicker than roller applied primers, increasing productivity and reducing working time at height.

Control of application – the spray tip provides even primer coverage.

Improved adhesion performance – alleviates the risk of primers pooling, providing better uniform coverage for improved adhesion.

Quick Drying – drying time approximately 5-10 minutes at 5°C.

Reduced waste – delivers the primer more efficiently, increasing coverage from a single container.

Reusable - the ability to clean the lance, hose and spray tip after use results in a delivery system that can be used multiple times.

APPEARANCE & PERFORMANCE

Application use:	Bonding Primer
Colour:	Black
Canister Size:	450mm x 330mm
Weight:	20.5Kg
Typical Coverage Rate**:	
Self-adhesive	up to 150m ²
Torch on	up to 250m ²
Application Temperature:	5-30°C
Tack Life (at 20°C):	Up to 4 hours
Drying Time (at 5°C):	5-10 minutes
Storage Temperature:	5-25°C
Shelf Life (at 5-25°C):	12 months
After opening:	3 months

** Coverage rates are dependent on substrate porosity and finish.

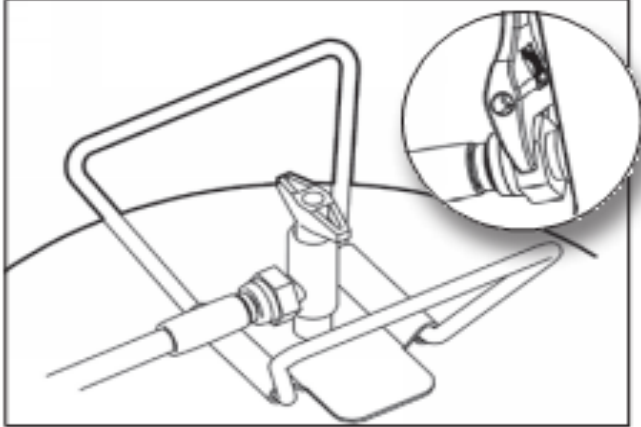
ASSOCIATED MATERIALS

Dependant on system arrangement, IKO offers several material solutions to cover the multiple layers of a typical built up bituminous roofing system. For guidance on selection of these layers, please refer to the **IKO Flat & Pitched Roofing Guide** available at www.ikogroup.co.uk

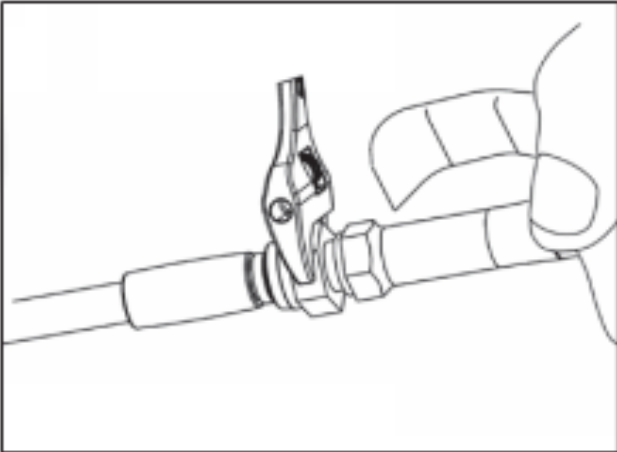
EQUIPMENT

ASSEMBLY

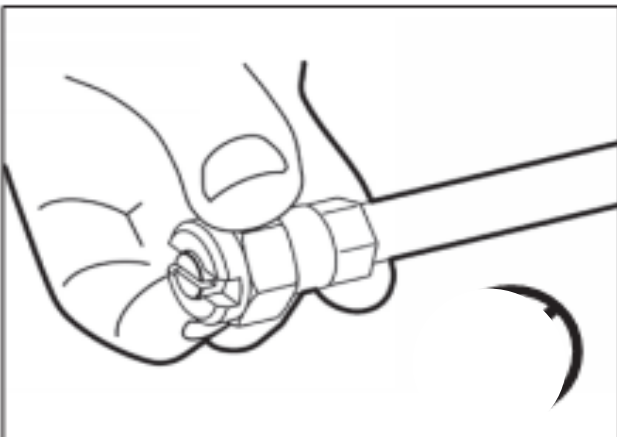
It is important that all the listed components on Page 1 are used together as a system of application. All assembly should be undertaken as follows.



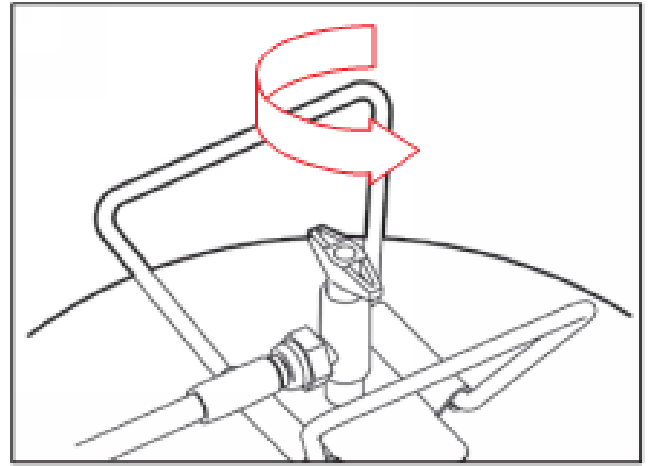
Remove the black cap from the canister valve, and attach the braided hose to canister valve using the small nut, and tighten with an adjustable spanner.



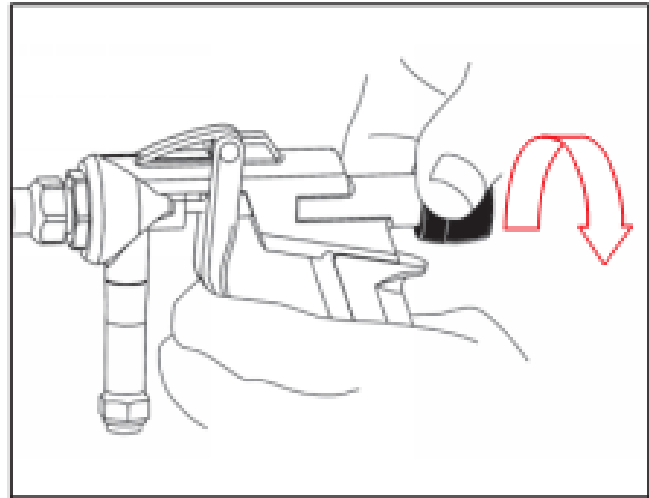
Attach the other end of the braided hose to the spray gun using the large nut. Tighten with an adjustable spanner.



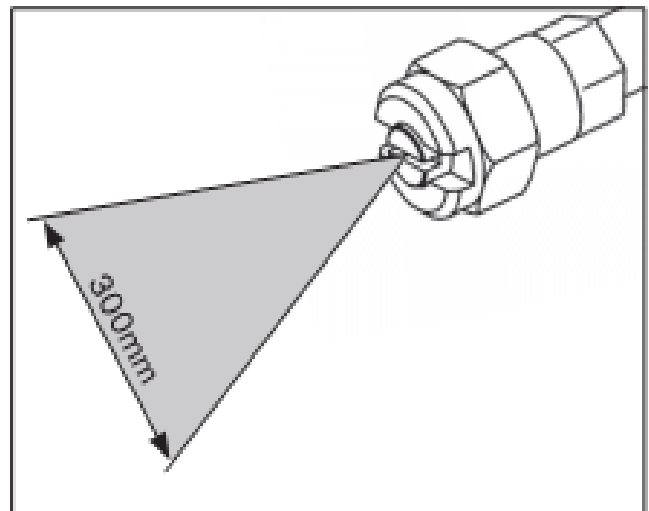
Using the locking nut provided, attach the spray tip to the end of the spray gun lance. Carefully tighten spray tip using an adjustable spanner.



Fully open the valve on the canister.



Pull the trigger on the spray gun to apply the primer, adjust the spray pattern by turning the black valve on the spray gun anti-clockwise.



For this application, the spray pattern width should be approximately 300mm wide.

IN USE

MATERIAL HANDLING

Please refer to relevant sections of the IKO Material Safety Data Sheet.

PRIOR TO COMMENCEMENT

Application must always follow good, safe working practice.

Prior to commencing works, it is advisable to consult Health and Safety Executive Guidance documents such as HSG33 'Health and Safety in Roof Work', irrespective of levels of competence, to ensure all works are being planned and undertaken in a safe, pragmatic manner.

Torch applied membranes should not be used in close proximity to combustible materials, decorative coatings and heat sensitive materials.

When using this product with torch applied materials it should be done only by those competent, conversant and capable of undertaking roofing works safely and that are experienced in the use of roofing torches and procedures.

Roofing contractors should be fully conversant with the guidance of the National Federation of Roofing Contractors (NFRC) 'Safe2Torch' campaign.

PREPARATION

Before commencement of the waterproofing works, the installing contractor should ensure that the surfaces to receive IKOpro Sprayfast MPP are clean, dry and free from grease, oil, dirt and loose material. Uneven surfaces may require suitable preparation to the surface prior to the application of the waterproofing.

Existing substrates should be assessed by a competent roofer or suitably qualified professional to ascertain their suitability.

APPLICATION

General

The recommended coverage rates should be adhered to and IKOpro Sprayfast MPP must not be allowed to form liquid puddles.

Only prime the area to be covered with membrane within a normal working day, limiting application to 50m² areas, allowing IKOpro Sprayfast MPP to dry before application to adjacent areas.

Allow IKOpro Sprayfast MPP to dry completely before installing any membranes. Drying time is approximately 5-10 minutes at 5°C. The product should not be applied at temperatures lower than 5°C.



Figure 1 - Typical Coverage

Specific to self-adhesive membranes

Application must provide a full coverage to all areas receiving the membrane application.

- Ensure an even and consistent application, with the primer delivered to the substrate at a spray pattern approximately 300mm wide (Figure 2);



Figure 2 - Typical Application

- Apply 1 full even coat of primer to field areas;
- Apply 2 full even coats of primer to detailing areas;
- Allow the solvents to evaporate from the bonding primer. Indicatively this would occur approximately 5-10 minutes after a completed single coating at an ambient temperature of 10°C.
- Apply the IKO S-A membrane to the coated area as soon as practicable, but no longer than the stated tack life of 4 hours.
- Coatings that have extended beyond the tack life, or that have become contaminated in any way must be suitably cleaned and re-coated.
- Canister coverage rate up to approximately 150m² for IKO S-A membranes.

Specific to torch applied membranes

Application must provide a full coverage to all areas of the non-combustible substrate receiving the membrane application.

It is important that all operatives using a gas torch should be familiar with and understand the principles of the Safe2Torch conditions as set out by the NFRC <https://www.nfrc.co.uk/safe2torch>

- Ensure an even and consistent application, with the primer delivered to the substrate at a spray pattern approximately 300mm wide;
- Apply 1 full even coat of primer in both field areas and areas of detailing;
- Allow the solvents to evaporate from the bonding primer. Indicatively this would occur approximately 5-10 minutes after a completed single coating at an ambient temperature of 10°C.



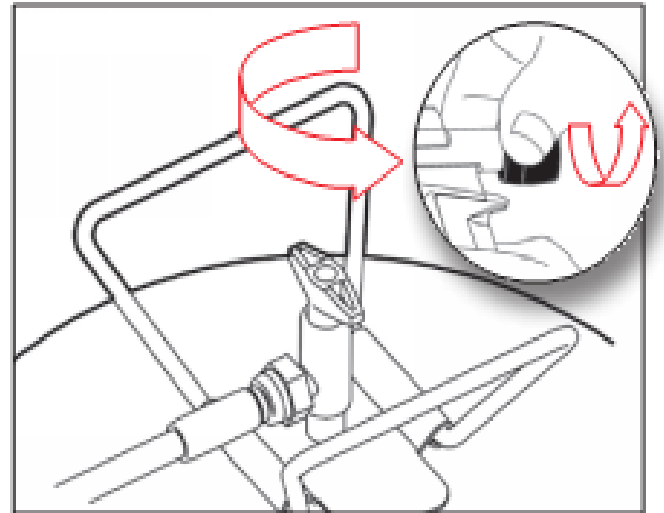
Figure 3 - Typical torch on method of application

- Apply the torch-on membrane to the coated area as soon as practicable after primer is fully dry, and in line with recommended torching methods and good practice;
- Coatings that have become contaminated in any way must be suitably cleaned and re-coated;
- Canister coverage rate up to approximately 250m² for IKO Torch applied membranes.

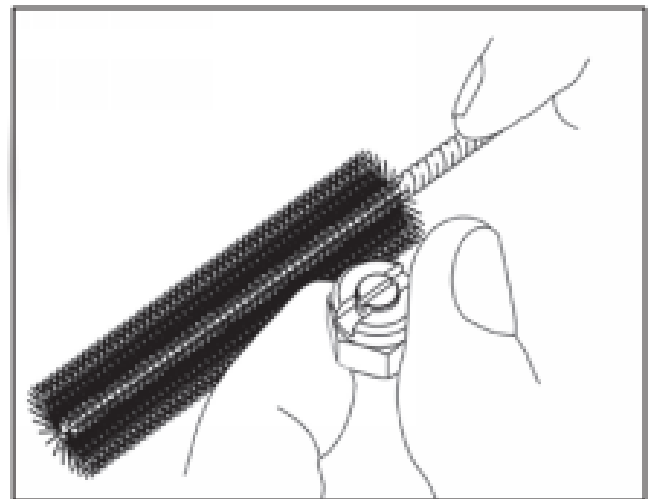
EQUIPMENT

Maintenance

Once work has been completed, ensure that the valve on the canister remains open. Turn the spray gun off by turning the black valve clockwise until it is fully closed.



Unscrew the spray tip and locking nut from the spray gun. Clean the spray tip and the end of the spray gun with the cleaning aerosol using a soft nylon brush to ensure that the aperture is clear. This is essential. Failure to clean the spray tip and the end of the spray gun may result in damage to the aperture and prevent the system from working.



Place the spray tip and locking nut into a container with a small amount of cleaning fluid until it is needed again. Ensure the container is closed and airtight.

The canister and gun will remain useable for 3 months after opening. If you do not intend to use the system within this time, flush it through using the flushing valve and aerosol.

Flushing the system

Ensure that the valve on the canister is completely turned off before attaching the assembly. Unscrew the hose from the canister valve.

Attach the flushing valve to the canister valve. Ensure the assembly remains upright whilst tightening the nut. Attach the hose to the flushing valve, again ensuring that the assembly remains upright whilst you tighten the hose.

Check the tap on the flushing valve is off before attaching the cleaning aerosol. Screw the aerosol into

the adaptor. Turn on the tap on the flushing valve to the 'on' position to release the aerosol into the hose.

Aiming the gun into a waste container, apply pressure to the trigger on the gun to push the cleaning aerosol through the hose and gun until the primer starts to dispense.

Keep pressure on the trigger until the hose and gun are thoroughly cleaned.

Canister disposal

The canister contains compressed gas, and it is essential that they are completely empty and depressurised prior to disposal.

The canister valve should be carefully opened to allow the release of residual primer and compressed gas into an appropriately marked container.

Leave the valve open.

Once the canister is empty and completely depressurised, the circular disk on the canister can be pierced using a non-ferrous bar/rod. Allow residual primer to cure.

Guidance on the disposal of empty containers can be found within the relevant sections of the IKO Material Safety Data Sheet.

DISCLAIMER

As this product is utilised within an Approved Contractor network and guided by an IKO Specification document, where omission or differing information exists the IKO Specification document will take precedence.

Whilst every precaution is taken to ensure that the information given in this literature is correct and up to date it is not intended to form part of any contract or give rise to any collateral liability, which is hereby specifically excluded.

IKO reserve the right to amend and/or withdraw this document without notice. Intending purchasers of our materials should therefore verify with the company whether any changes in our specification, application details, withdrawals or otherwise have taken place since this literature was issued.